

Lever version Cuba UER33
by KARCHER DESIGN

Lever sets for standard duty for residential interior use and light duty for commercial interior use.
Complies to ADA requirements

Standard Features:

- Solid fixing rosette 2 5/8" in diameter which will allow "invisible handle attachment"
- Door range: 1 3/8" - 1 3/4" (35 - 45 mm) standard
- Backset: 2 3/8" - (60 mm) backset latch standard. 2 3/4" - (70 mm) backset latch available
- Spring loaded levers minimize droop and provide smooth, fast return action of levers heavy duty bolt through fixing prevents lock chassis rotations
- Stainless steel T-strike plate with plastic dust cover
- Stainless steel latch face plate

Finish: satin / polished stainless steel (finish code 73)

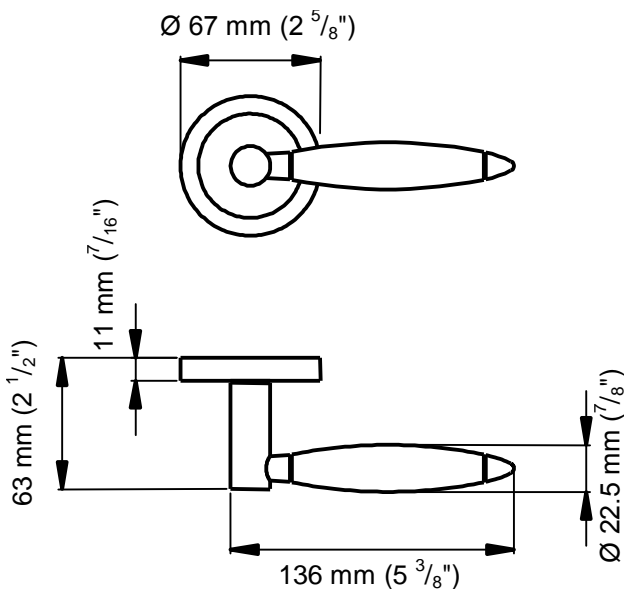
Options:

Cuba - UER 33 Passage set with 2 3/8" backset (UER33 PAS 73)
Cuba - UER 33 Privacy set with 2 3/8" backset (UER33 PRI 73)

2 3/4" - backset for passage handle set (UZ2570 PAS)

2 3/4" - backset for privacy handle set (UZ2570 PRI)

Specifications:



Latches and Strike:

Latch face plates and strikes furnished in stainless steel finish.

Latches: 1" x 2 1/4" (26 mm x 57 mm), 7/16" (11 mm) throw standard. 1" (25 mm) wide face plates
Strike: Square corner T strike plate, 1 1/8" x 2 3/4" x 1/16" (28 mm x 70 mm x 1 mm), furnished with plastic dust cover